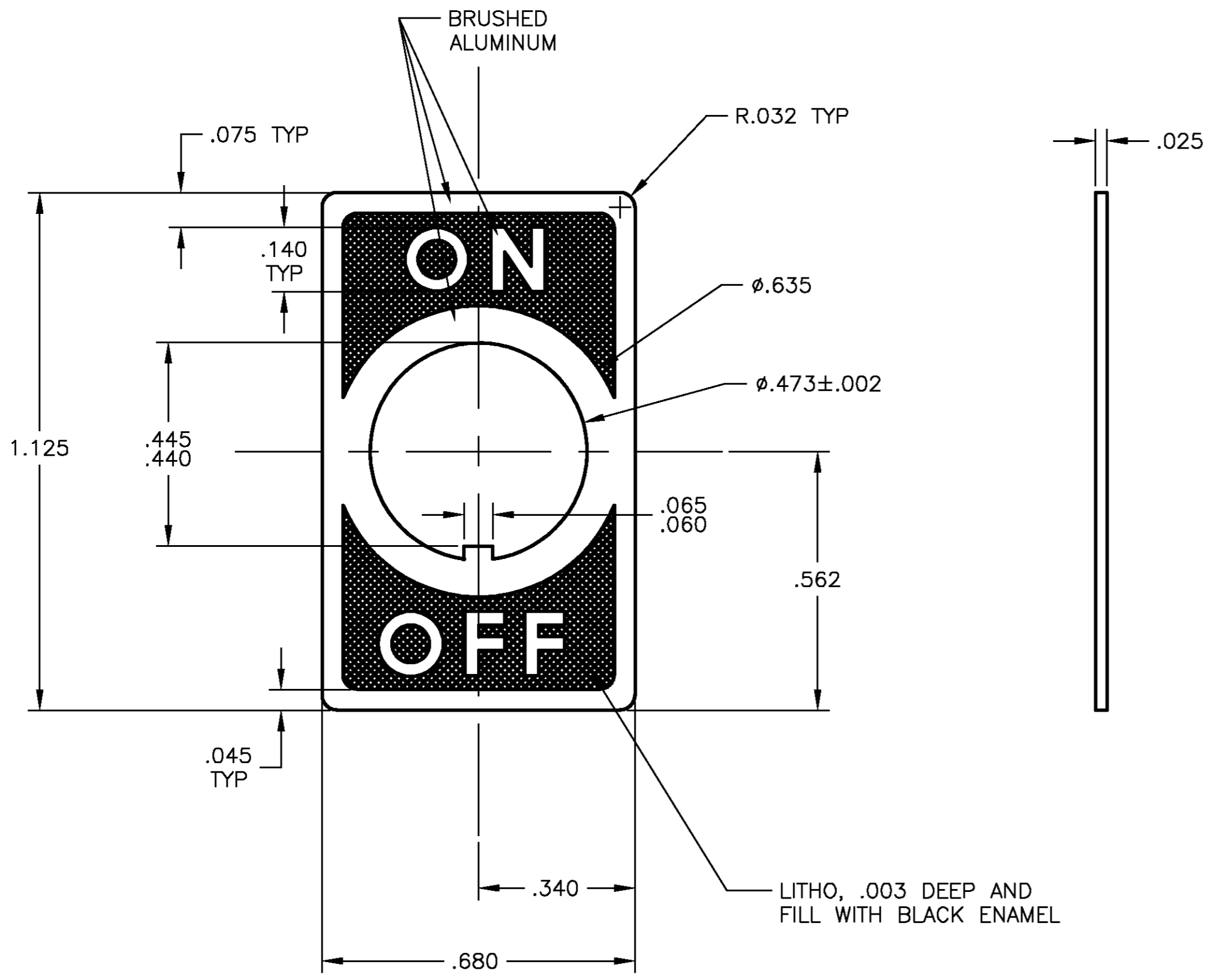
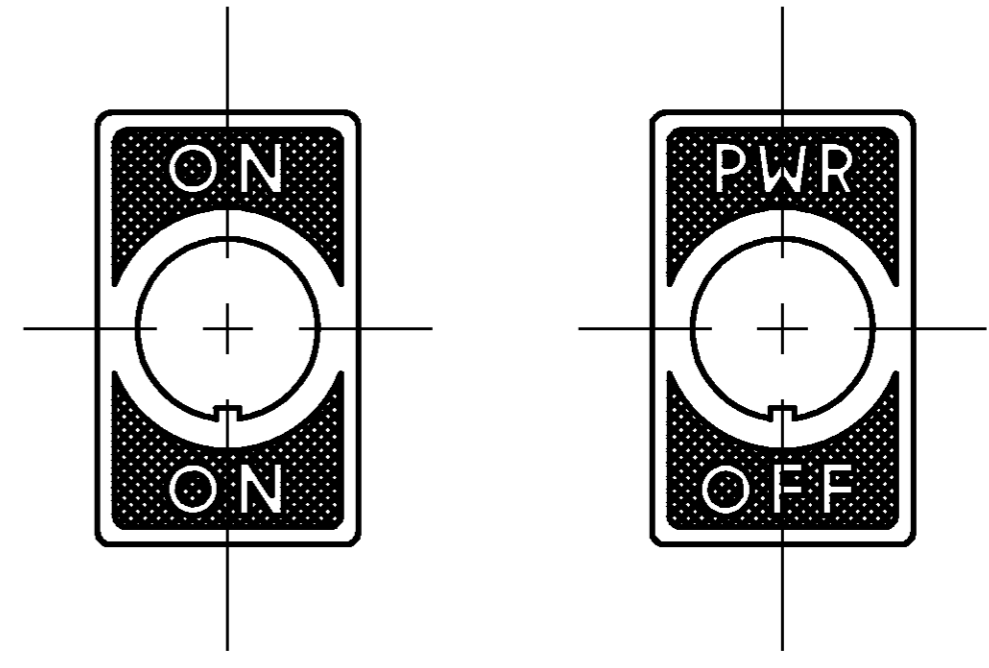


THIS DRAWING IS UNPUBLISHED. RELEASED FOR PUBLICATION
 © COPYRIGHT BY TYCO ELECTRONICS CORPORATION. ALL RIGHTS RESERVED.

LDC		DIST		REVISIONS			
P	LTR	DESCRIPTION		DATE	DWN	APVD	
A		REV PER OG3C-0242-02		19NOV02	RB	MZ	



SPA-42



SCALE 2:1

SPA-43	2-1437628-7
SPA-42	2-1437628-6
SPA-41	2-1437628-5
ALCO PT. NO.	TYCO PT. NO.

THIS DRAWING IS A CONTROLLED DOCUMENT.		DWN R BROWN 19NOV02	Tyco Electronics Corporation Harrisburg, PA	
DIMENSIONS: INCHES		CHK M ZITTO 19NOV02	NAME SWITCH PLATE SPA 41, 42 & 43	
TOLERANCES UNLESS OTHERWISE SPECIFIED:		APVD M ZITTO 19NOV02	SIZE A2	CAGE CODE 00779
0 PLC ± -	1 PLC ± -	PRODUCT SPEC	DRAWING NO C-2-1437628-5	RESTRICTED TO
2 PLC ± -	3 PLC ± .005	APPLICATION SPEC	SCALE 4:1	SHEET 1 OF 1
4 PLC ± -	ANGLES ± -	WEIGHT	REV A	
MATERIAL	FINISH	CUSTOMER DRAWING		

2-1437628-5